

## Benchmark Biometric Sensor System for Hearable Devices

### Features

- Chest-strap quality optical heart rate (HR) measurement, step rate / count, distance, cycling cadence, calories, R-R interval (RRi) and activity recognition (running/lifestyle)
- The Benchmark<sup>®</sup> sensor and PerformTek<sup>®</sup> processor minimize space impact to the hearable design and provide design flexibility
- Sensor module contains an LED and optical detector with data conversion circuitry mounted to a lens assembly optimized for sensor system accuracy
- PerformTek low-power ARM<sup>®</sup> Cortex<sup>®</sup> processor performs sensor data processing and provides a communication interface to the system Host processor

Figure 1: BE5.0 PerformTek MCU and Sensor

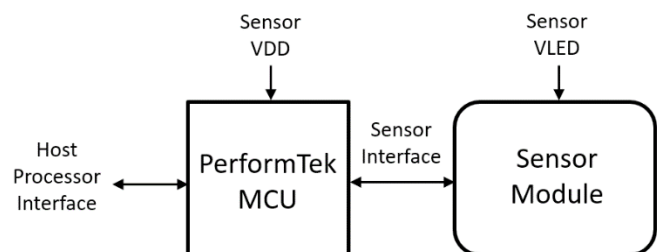


- Sensor Dimensions: 14-pin, 0.6 mm pitch, (5.80 x 3.90 x 3.40) mm
- IMU Dimensions: LGA-12, 0.5 mm pitch, (2.00 x 2.00 x 0.93) mm
- MCU Dimensions: CSP-49, 0.35 mm pitch, (2.56 x 2.59 x 0.45) mm
- 400 kHz I2C or 57.6 kbps UART interface
- Processor and IMU VDD: 1.8 VDC to 3.3 VDC
- Sensor VLED: 2.8 to 5.0 VDC (IR LED Only)
- Sensor VLED: 3.1 to 5.0 VDC (Red + IR LED Only)
- V<sub>DD</sub> MCU current: 255  $\mu$ A standard operation
- V<sub>LED</sub> Sensor current: 0.105 mA standard operation
- Field updatable processor firmware

### Description

The PerformTek powered Benchmark Ear 5.0 (BE5.0) Sensor System is the smallest biometric sensor technology developed by Valencell, Inc. to date. The modular design brings together the best available parts of a successful biometric sensor system in a smaller form factor and includes emitter/detector sensor electronics in an optimized optical package with a processor that is pre-programmed with Valencell's PerformTek advanced biometric algorithms.

Figure 2: BE5.0 Simplified Block Diagram



### Applications

- In-canal or in-concha wired or wireless headphones
- Hearing aids
- Mono Bluetooth headsets
- Wireless smart audio assistants

## Reference Documentation

Table 1: Related Documents

Document	Title
001917	PerformTek Low Power MCU Integration Guide
000638	PerformTek Interface Protocol Document
000964	PerformTek User Guide
000532	Benchmark Ear Integration Guide
001926	BE 5.0 Sensor Window Drawing
001913	BE 5.0 Sensor Drawing
001912	BE 5.0 Sensor 3D CAD Model

## Change Record

Table 2: Change Record

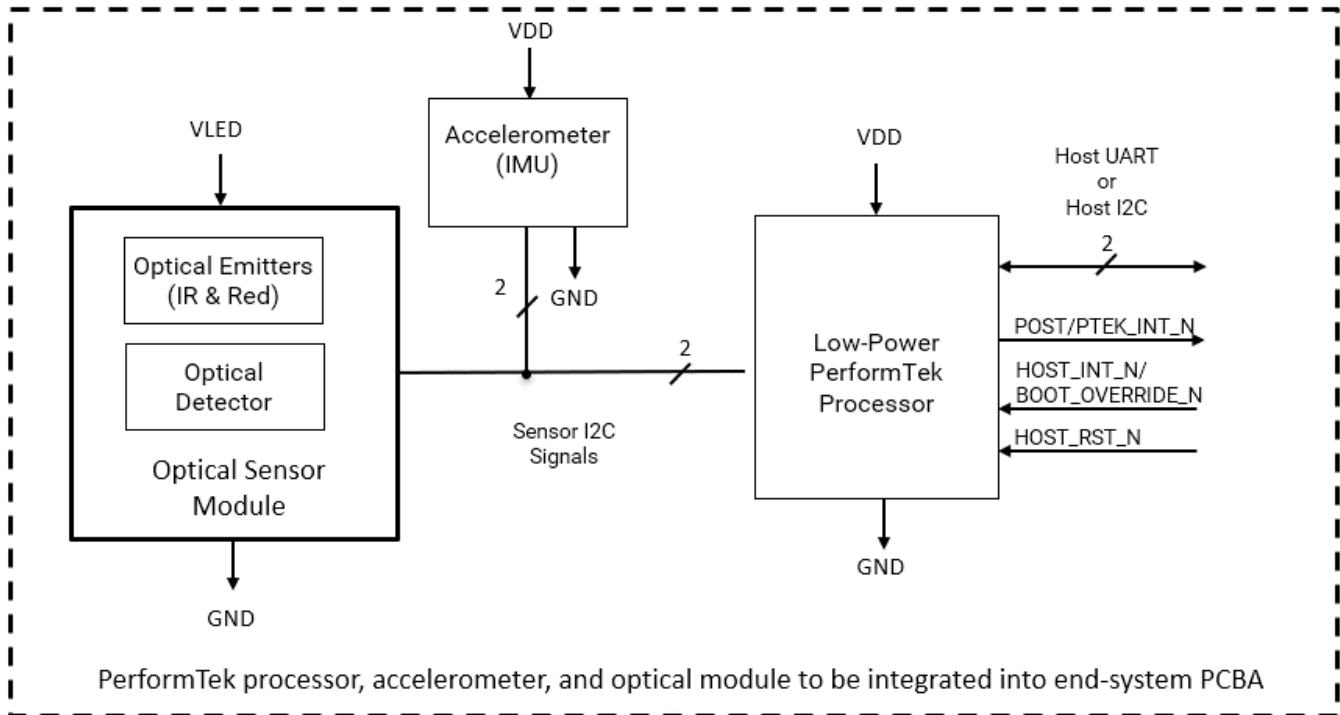
Author	Revision	Date	Description of change(s)
MEP	01.00	02MAY2019	Initial Release of Preliminary BE5.0 Datasheet
MEP	01.01	02AUG2019	Update based on design finalization. Removed Preliminary marking Removed PerformTek MCU information and added reference to the PerformTek Low Power MCU Integration Guide
SWC	01.02	02DEC2019	Fixed typo on page 16 Corrected the number of components listed in section 9 (from 2 to 3)
SWC	02.00	23DEC2019	Updated sensor dimensions and drawing
MEP	03.00	31MAR2020	Added power information for red LED

## Table of Contents

1	Block Diagram / System Overview .....	4
2	Sensor Pin Description.....	6
3	Electrical Characteristics .....	7
4	Sensor Electrical Integration.....	10
4.1	Sensor Connections and Schematic.....	10
5	PerformTek Processor.....	11
6	Additional Electrical Design Guidelines .....	12
6.1	Power Supply Loading .....	12
6.2	Mixed Voltage Operation and Power Supply Separation.....	12
6.3	Audio Quality Design Guidelines .....	12
7	Sensor Physical Integration .....	14
8	Accelerometer Physical Integration .....	16
9	Benchmark Sensor Ordering Guide .....	17
10	Valencell Product Development Design and Test Services .....	18
11	Contact Information .....	19
12	Statements .....	20

# 1 Block Diagram / System Overview

The Benchmark Ear 5.0 Biometric Sensor solution is provided in three pieces, a sensor, an accelerometer, and a Low Power PerformTek processor. Figure 3 shows how these pieces work together and is described below.



**Figure 3: Benchmark Ear 5.0 Functional Block Diagram**

On the left of the diagram, the sensor module circuit board contains a digital optical detector system with infrared and red LEDs. The detector and LEDs work together with the accelerometer to collect biometric information via reflected light and movement from the wearer. This information is transmitted over an I2C bus when requested by the PerformTek processor.

The PerformTek processor collects the sensor data and runs Valencell’s patent protected algorithms to convert the raw measurements into biometric values such as heart rate or cadence and processes those values further into higher level user assessments like calories burned. In addition, sensor module diagnostics such as signal quality and error codes are available. This information is available to the Host processor via the Host interface.

The Host interface is shown on the right side of the diagram. Control lines for interfacing the Host processor with the PerformTek processor include an I2C or UART, power-on self-test / sensor interrupt output (POST / PTEK\_INT\_N), and sensor interrupt / bootloader mode select input (HOST\_INT\_N / BOOT\_OVERRIDE\_N). For I2C serial communications with the Host processor, the PerformTek processor acts as the I2C slave role and the Host processor acts as the I2C Master. More details on this interface are provided in the PerformTek Low Power MCU Integration Guide.

## 2 Sensor Pin Description

Table 3 shows the pin definitions for the sensor. See Section 7 for the physical pinout and package dimensions of the sensor,

**Table 3: Sensor Pinout**

Pin Number	Symbol	Description
1	SDA	I2C Data Line. Connect to accelerometer and PerformTek Processor
2	SCL	I2C Clock Line. Connect to accelerometer and PerformTek Processor
3	LDO_EN	Connect to VLED
4	LDO	Internal LDO. Connect 1 $\mu$ F capacitor to GND_A
5	VLED	Sensor power: Connect VLED power to this pin via a zero Ohm resistor. Option A: Add a 0.1 $\mu$ F ceramic capacitor and a 47 $\mu$ F polymer tantalum to this pin and GND_L / GND (recommended to reduce risk of audible noise due to piezoelectric effect and to provide path for future design changes that may limit peak current demand from the sensor) Option B: Add a 0.1 $\mu$ F ceramic capacitor and a 10 $\mu$ F ceramic capacitor to this pin and GND_L / GND (minimum requirement)
6	NC	No Connect
7	NC	No Connect
8	NC	No Connect
9	GND_L	Connect to GND
10	GND_D	Tie to GND_A and connect to GND
11	GND_A	Tie to GND_D and connect to GND
12	VREF	Internal reference for sensor. Connect 1 $\mu$ F capacitor between this pin and GND / GND_A
13	NC	No Connect
14	NC	No Connect

### 3 Electrical Characteristics

Table 4: Recommended Operating Conditions for Sensor

Parameter	Symbol	Conditions	Min	Typ	Max	Units
Sensor LED Supply Voltage (IR and Red LED Operation) <sup>1</sup>	V <sub>LED(RED)</sub>	Min and Max are inclusive of V <sub>DD</sub> ripple requirement	3.1	3.3	5.5	VDC
Sensor LED Supply Voltage (IR LED Operation Only)	V <sub>LED(IR)</sub>	Min and Max are inclusive of V <sub>DD</sub> ripple requirement	2.8	3.3	5.5	VDC
Sensor ripple voltage <sub>10</sub>	V <sub>ripple_10</sub>	Sensor system active: 0 to 10 MHz Ripple	-	-	50	mV <sub>pp</sub>
Sensor ripple voltage <sub>100</sub>	V <sub>ripple_100</sub>	Sensor system active: >10 MHz to 100 MHz Ripple	-	-	100	mV <sub>pp</sub>
Operating Temperature	-	Device operating in Standby, Idle, or Active Modes	-10	25	50	°C

Note 1: Red LED operation has not been characterized at this time.

Table 5: Operating Characteristics of Sensor

Parameter	Symbol	Conditions	Min	Typ	Max	Units
Sensor Current OFF Mode	-	No V <sub>DD</sub> supply given to sensor module	-	0	-	μA
Sensor Current Standby and Idle Modes	-	System is in Standby mode	-	1.6	11	μA
VLED Current Active Mode, Standard-Precision RRi, IR LED Only <sup>1</sup>	-	HR measurement with Standard-precision RRi sampling rate, IR LED only, Five-wire connection, VLED = 3.3 VDC	-	0.105	-	mA
Sensor Current Active Mode, Standard-Precision RRi, IR + Red <sup>1</sup>	-	HR measurement with Standard-precision RRi sampling rate, IR and Red LEDs only, Five-wire connection, VLED = 3.3 VDC	-	0.21	-	mA
Sensor Current Active Mode, High-Precision RRi	-	HR measurement with High-precision RRi sampling rate, IR LED only, Five-wire connection, VLED = 3.3 VDC	-	0.50	-	mA
Sensor Pulse Current	I <sub>pulse</sub>	System is in Active mode	-	54	-	mA

Note 1: The accelerometer is expected to consume approximately 10 uA current from the Vdd rail



Absolute limits are provided below. If these limits are exceeded, permanent device damage may occur. Additionally, if the sensor is exposed to these limits for an extended period, the sensor reliability may be impacted.

**Table 6: Sensor Absolute Maximum Limits**

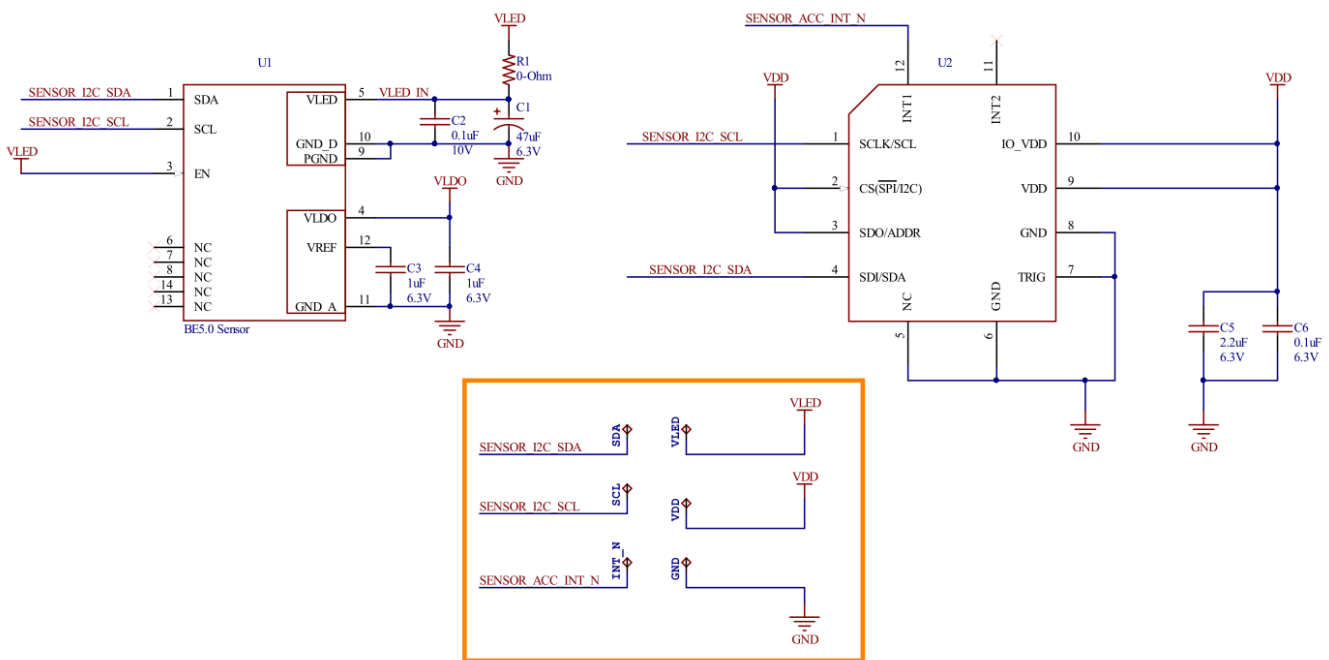
Parameter	Symbol	Conditions	Min	Typ	Max	Units
Operating Temperature	-	Device operating in Standby, Idle, or Active Modes – performance not guaranteed	-10	-	50	°C
Storage Temperature	-	Device powered off; device will require time to come to equalize with normal operating temperature after exposure to limits of storage temperature	-50	-	85	°C

## 4 Sensor Electrical Integration

### 4.1 Sensor Connections and Schematic

The BE5.0 sensor (U1) is designed to work with the included Low Power PerformTek MCU processor and accelerometer (U2). Connections for this sensor along with the accelerometer are shown in Figure 4. The Low Power PerformTek MCU is not shown in this schematic but should be powered by the same (or equivalent) VDD supply that is shown connected to the accelerometer.

Figure 4: BE5.0 Sensor Schematic



## 5 PerformTek Processor

The included PerformTek Low Power MCU is implemented on an Ambiq Micro Apollo2 processor. This processor provides significant power savings from Ambiq's patented Subthreshold Power Optimized Technology (SPOT). This is an ARM Cortex-M4 based processor and is provided in a 49-pin Chip Scale Package (CSP).

The processor is programmed by Valencell, Inc. with PerformTek custom firmware and algorithms. See the PerformTek Low Power MCU Integration Guide for interface requirements and integration guidelines.

## 6 Additional Electrical Design Guidelines

### 6.1 Power Supply Loading

The system power supply or supplies should be designed to meet the requirements in Section 3 with loading and transients from both the Benchmark sensor, accelerometer, and the PerformTek MCU.

Peak VLED current will be periodic where the period of the peaks will depend on the mode of operation, Heart Rate and Standard-Precision RRi (40 ms) and High-Precision RRi (8 ms). The peak current identified in Section 3 are based on both measured and specified system performance. Processor VDD current peaks are of smaller amplitude and much smaller duration than VLED current peaks. Actual peak and average VDD processor current peak and average numbers will vary depending on the unique characteristics of the system design and how the PerformTek features are used within the system. Because of this, Valencell recommends testing our sensors in a manner representative of their intended use as early as possible in the design cycle. To facilitate this, Valencell supplies development kits that support early prototyping and power measurement and can provide design support and review services upon request.

### 6.2 Mixed Voltage Operation and Power Supply Separation

The accelerometer and the Low Power PerformTek MCU should be supplied by the same voltage rail (VDD). Generally, the BE5.0 sensor VLED should be supplied by a different power rail than VDD since it allows separation that may be helpful in meeting the ripple requirements of the sensor and it may be desirable to operate the PerformTek MCU and accelerometer at a lower voltage than VLED. In cases where it is desirable to do so, the VDD and VLED rails may be combined if all requirements specified in Section 3 are still met.

### 6.3 Audio Quality Design Guidelines

While the Benchmark sensor does not generate any perceptible audible noise on its own, it is possible for system power supply noise or crosstalk from the sensor I2C lines to interfere with audio quality if appropriate system design considerations are not followed. To mitigate potential noise issues, design considerations should include:

- Good power and ground plane design and decoupling to minimize conducted system noise into sensor and / or audio cabling
- Appropriate audio circuit and system grounding to ensure any coupled noise is either returned to the system reference as appropriate or blocked by appropriate isolation

- Isolation of audio circuitry signals from sensor I2C, power, and ground lines to minimize crosstalk  
(This may be accomplished by a combination of PCB routing and or cable design as appropriate)
- Minimize ceramic capacitors exposed to large current transients in locations that could couple audible noise into the ear

## 7 Sensor Physical Integration

The BE5.0 sensor is shown in Figure 5. Placement and proper integration of the sensor into the hearable system housing is critical for accurate measurement. For enclosure capture feature design and adhesive process guidelines and more complete details on sensor integration, refer to the Benchmark Ear Integration Guide.

The sensor electrical interface geometry is shown in Figure 6. For best performance, the below layout recommendations should be followed

- All bypass capacitors should be placed as close to the part as possible.
- All no connect pins should be soldered down
- All ground pins should be connected to a ground plane
- Avoid sharing vias for decoupling capacitor connections
- Minimize the impedance of power and ground connections

Figure 5: BE5.0 Sensor Images

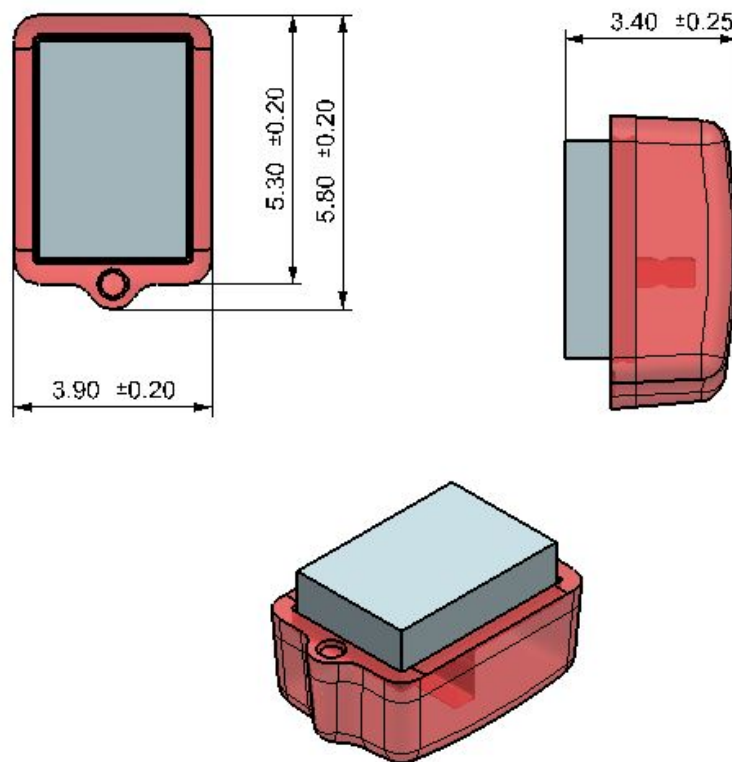
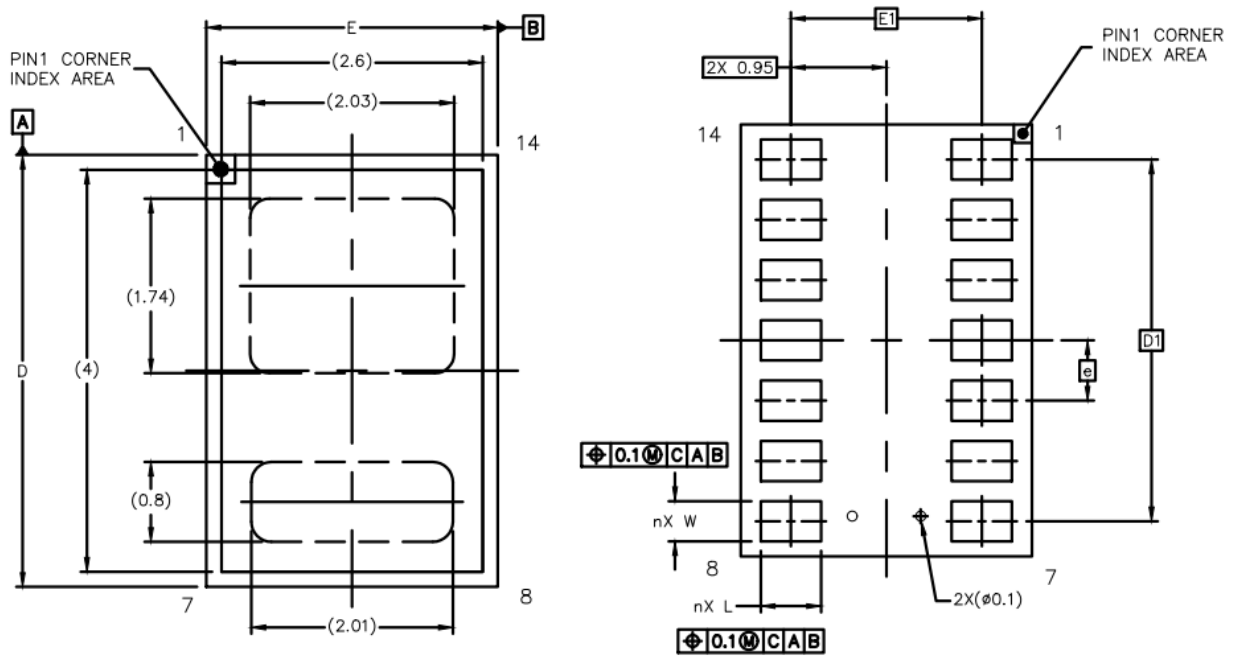


Figure 6: BE5.0 Sensor Drawing and Solder Pads

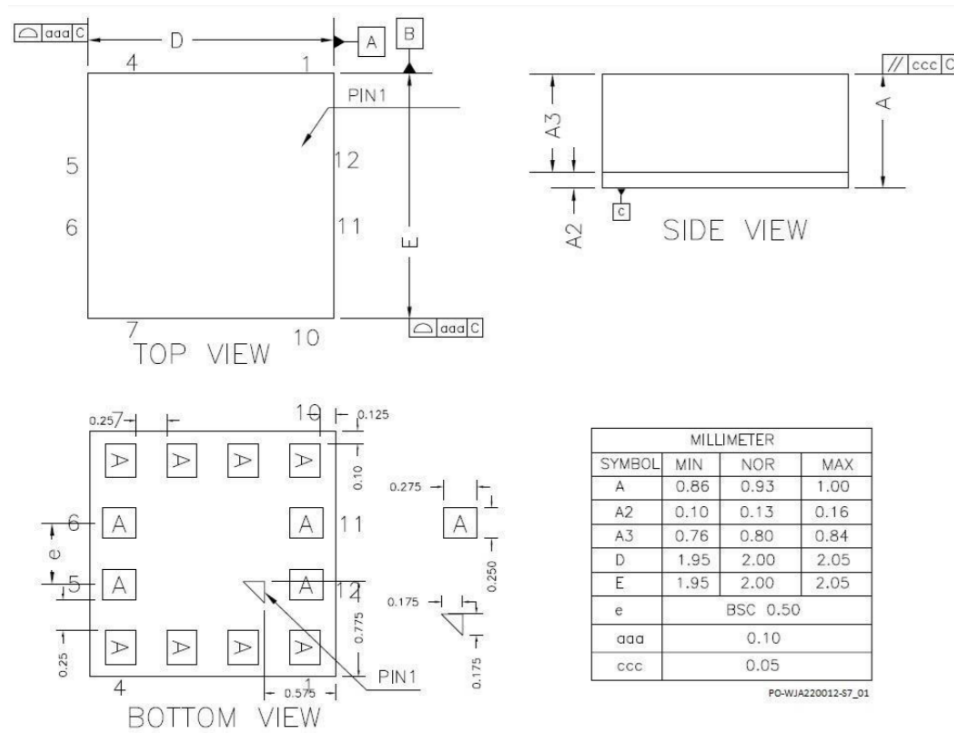


SYMBOL	COMMON DIMENSIONS		
	MIN.	NOR.	MAX.
A	1.3	1.4	1.5
A1		0.3	REF
A2		0.885	REF
A3		0.2	REF
D	4.2	4.3	4.4
E	2.8	2.9	3
W	0.35	0.4	0.45
L	0.55	0.6	0.65
e		0.6	BSC
n		14	
D1		3.6	BSC
E1		1.9	BSC
aaa		---	
bbb		---	
ddd		0.08	

## 8 Accelerometer Physical Integration

The accelerometer package and electrical interface geometry is shown in Figure 7. See the Benchmark Ear Integration Guide for additional placement and proper integration guidelines.

Figure 7: BE5.0 Accelerometer Drawing and Solder Pads





## 9 Benchmark Sensor Ordering Guide

Part Number	Description
001931	Benchmark Ear 5.0

001931 Benchmark Ear 5.0 consists of a set of three components

### BE5.0-Set

1. BE5.0-Sensor
2. BE5.0-Accelerometer
3. BE5.0-AMAPH1KK-KCR

## 10 Valencell Product Development Design and Test Services

Valencell has years of experience helping customers bring accurate biometric hearable and wearable devices to market. Much of our experience has been captured in application notes and in the integration and user guides, but additional design and test support is available upon request to help reduce your time to market and lower your technical development risks. Our support can span all stages of the product development process, from concept development through mass production and marketing. Design support examples include assisting with placement and mechanical integration of the sensor module within the product being worn; product fit and comfort; power-supply design; and audio design considerations for hearable designs.

Additionally, product performance should be backed by a solid test plan. Valencell has a sophisticated exercise and sport physiology test lab where products using our sensors are tested for proper performance. Our biometric sensors have been tested on thousands of test subjects with the statistical analysis done in a way that conforms to medical and sports journal publication standards. Testing is carried out both indoors and outdoors under many different activities with pools of subjects that have different skin tones, weight, hair, and fitness levels. Results from our sensor tests can be seen in the form of technical white papers on the Valencell website here: [www.valencell.com/white-papers](http://www.valencell.com/white-papers). Valencell Labs is located in the U.S. where there is a good diversity of test subjects. Our lab can validate the accuracy and performance of your product design and provide a statistical analysis as part of a design feedback report along with suggestions to improve the product design. This type of testing is the best and only way to know how well your product will perform when introduced into the market.

For more information about our support options, please contact Valencell.

## 11 Contact Information

*For additional information please contact:*

Sales Support: [benchmark@valencell.com](mailto:benchmark@valencell.com)

Technical Support: [support@valencell.com](mailto:support@valencell.com)



Valencell, Inc.

4601 Six Forks Rd. Suite 103

Raleigh, NC 27609

[www.valencell.com](http://www.valencell.com)

## 12 Statements

Valencell reserves the right to make changes to its products or example designs as part of its development program. This document and any other related support materials (collectively, the “Materials”) are intended to serve as resources only and users should not rely on them to ensure compliance with any laws or requirements.

Benchmark™ and PerformTek™ technology are not designed or authorized for use in life support, medical, or safety critical applications.

THE MATERIALS ARE PROVIDED "AS IS", WITHOUT WARRANTY OF ANY KIND, EXPRESS OR IMPLIED, INCLUDING BUT NOT LIMITED TO THE WARRANTIES OF MERCHANTABILITY, FITNESS FOR A PARTICULAR PURPOSE AND NONINFRINGEMENT. IN NO EVENT SHALL VALENCELL, INC., BE LIABLE FOR ANY CLAIM, DAMAGES OR OTHER LIABILITY, WHETHER IN AN ACTION OF CONTRACT, TORT OR OTHERWISE, ARISING FROM, OUT OF OR IN CONNECTION WITH THE MATERIALS.

No license is granted or implied under any patent or other rights owned by Valencell, Inc., by the publication or transfer of the information contained herein. Unless otherwise stated, words and logos marked with ® or ™ are trademarks registered or owned by Valencell, Inc. Other products, services and names used in this document may have been trademarked by their respective owners.

### Patent Notice:

Protected by granted patents and/or patents pending: [www.valencell.com/patents](http://www.valencell.com/patents)

Both Benchmark® and PerformTek® and the Benchmark and PerformTek designs are registered trademarks of Valencell, Inc. and may not be used for any purpose without the express prior written consent of Valencell, Inc.